



# SolidCAM

The Gold-certified integrated  
CAM-Engine for SolidWorks

## Newsletter May 2010

### IN THIS ISSUE

[Webinars about SolidCAM 2010](#)

[Building the future with SolidCAM  
+SolidWorks](#)

[SolidCAM at the MACH 2010 show](#)

### Webinars about SolidCAM 2010



Recently we released our new version SolidCAM 2010 SP0 with a lot of powerful new features. Due to the lively interest in this version, we would like to invite you for webinars about SolidCAM 2010. Some of the topics are:

- General improvements including 64-Bit support
- Tool definition improvements (Cutting and H Length, Spins+Feeds tables, Turning Tool holders)
- Visual tool check
- New High-Speed Machining operations
- Multi-axis Drilling
- Simultaneous 5-axes enhancements
- Turret tool holder definition and machine simulation

The webinars will take place as follows:

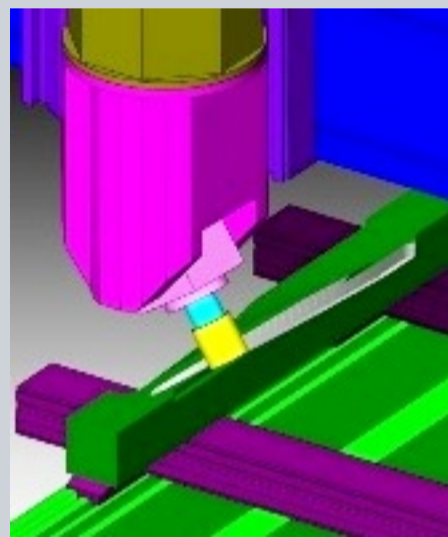
- **May, 26, 11:00 am EDT (GMT-5)** for Americas
- **May, 28, 11:00 am CET (GMT+1)** for Europe
- **May, 31, 4:00 pm SGT (GMT+8)** for Asia

If you want to participate in one of the webinars, please send an email to [webinar@solidcam.com](mailto:webinar@solidcam.com).

Emil Somekh  
Managing Director  
SolidCAM Ltd.

### • [Building the future with SolidCAM+SolidWorks](#)

The [Arteco](#) Wood Technology Center has been established in January 2009 in Bosnia and Herzegovina. Arteco provides design and production of complex furniture components, including prototype development services for the local wood products industry. The core Manufacturing technology is a 5-axis CNC Woodworking center from the German supplier [Homag](#) plus CAD/CAM software.



The whole project has been financially supported by U.S. and Norwegian government agencies. The Homag CNC center has full 5-axis simultaneous machining capabilities and includes an automated vacuum dry kiln and a controller with Homag's CNC router "WoodWop". For the CAD/CAM software, the company decided for the combined solution SolidWorks+SolidCAM. SolidCAM enables the user to automatically synchronize all machining operations with an updated SolidWorks geometry. The full associativity to the SolidWorks design model reduces errors when the 3D model is modified. SolidCAM provides also a dedicated post processor for the WoodWop controller, thus driving the Homag's 5-axis CNC center.

Elvedin Mandzukic, Director of Arteco, summarizes: "The integration with SolidWorks meant that our learning curve for SolidCAM became very short. After one week training, our people were off and running, and already doing the first parts...We are now much faster and more precise in manufacturing complex wooden parts, and we can continuously increase our business and services with collaborating partners in our country."

[Read more about this application...](#)

### • [SolidCAM at the MACH 2010 show](#)

The Nr. 1 UK Manufacturing show, the MACH2010, will take place from June 7 - 11 in Birmingham. It encompasses metalcutting and metalforming machine tools, Tooling and Workholding, Measurement and Inspection, Rapid Prototyping and CAD/CAM software. Besides the new version SolidCAM 2010 [SolidCAM UK](#) will demonstrate on Booth Nr. 5395 SolidCAM's new revolutionary *iMachining* technology.



*iMachining* enables cutting through the material with much higher feed rates and larger cut depths, which results in significantly higher metal removal rates while prolonging tool life. Gordon Drysdale, Manager of SolidCAM UK (*see photo*) states: "We team up with the SolidWorks resellers in the United Kingdom to combine their 3D CAD offering with our powerful CAM solution including SolidCAM software, proven post processors and related services. Our UK headquarters in Barnsley, South Yorkshire, has a fully equipped facility for training and support purposes." To push the new *iMachining* technology, SolidCAM UK has strengthened its cooperation with the leading cutter tool manufacturer [Iscar](#).

[More about the MACH2010 show...](#)

:: [wolfgang.mueller@solidcam.de](mailto:wolfgang.mueller@solidcam.de)

:: <http://www.solidcam.com>

:: +49-170-5773814